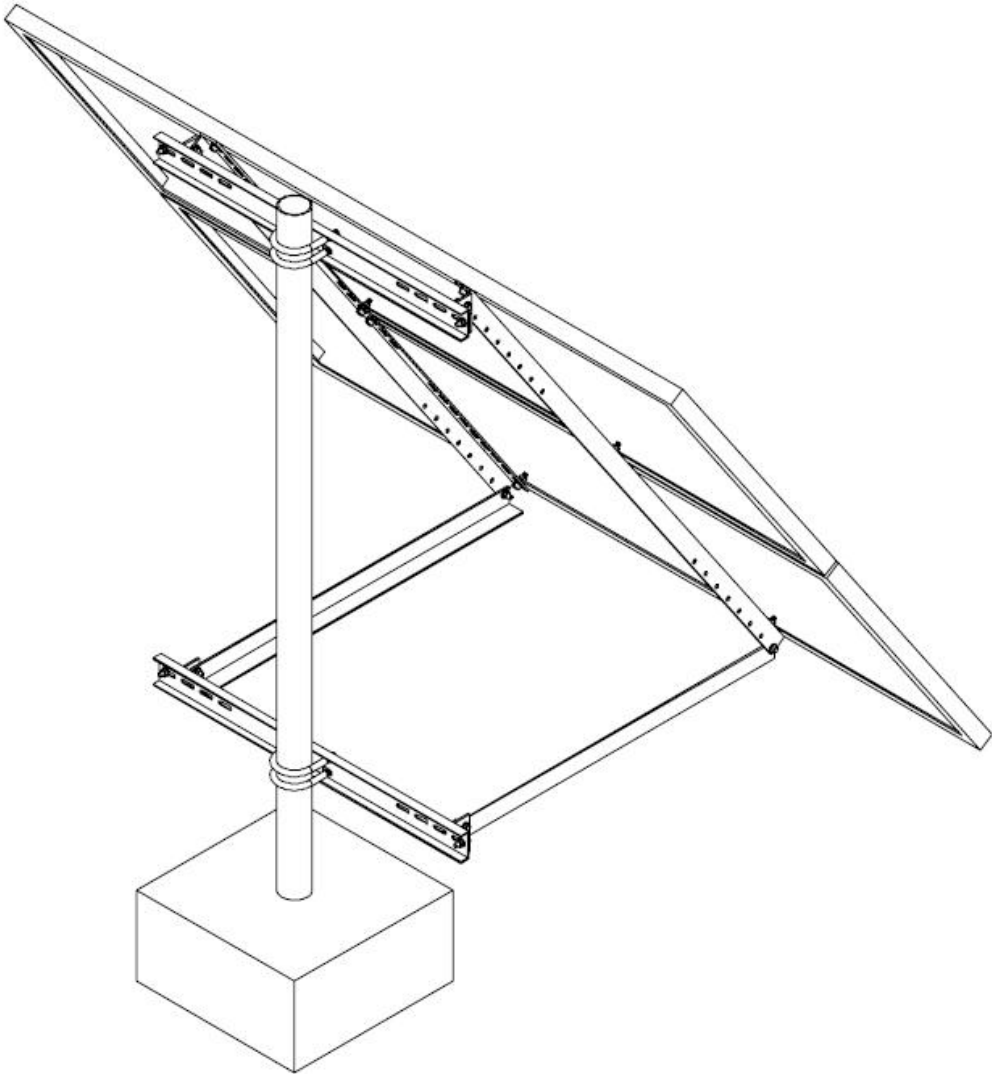


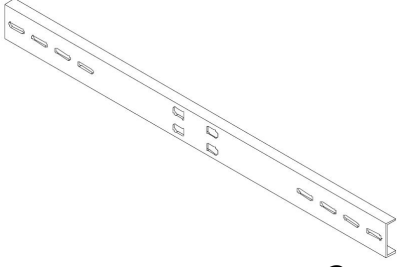
# POLE MOUNTING

## Installation Manual



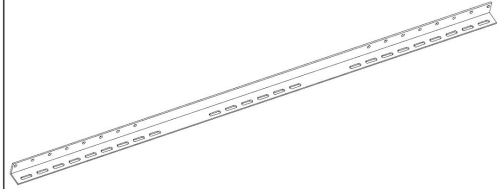
# Components List:

U-shaped Aluminum Bracket



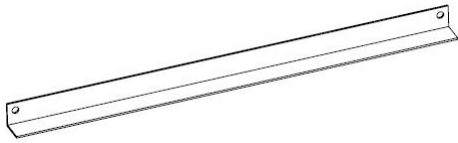
x2

Corner Aluminum Bracket 1



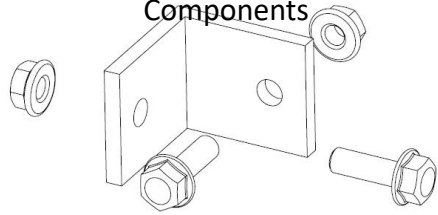
x2

Corner Aluminum Bracket 2



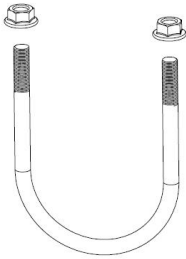
x2

Corner Aluminum Bracket 3  
Components



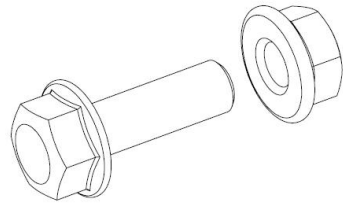
x2

U-bolt components



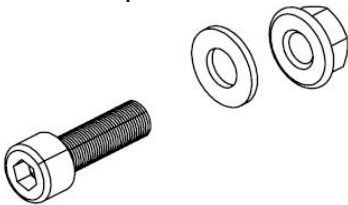
x4

Hexagon Head Bolt components



x2

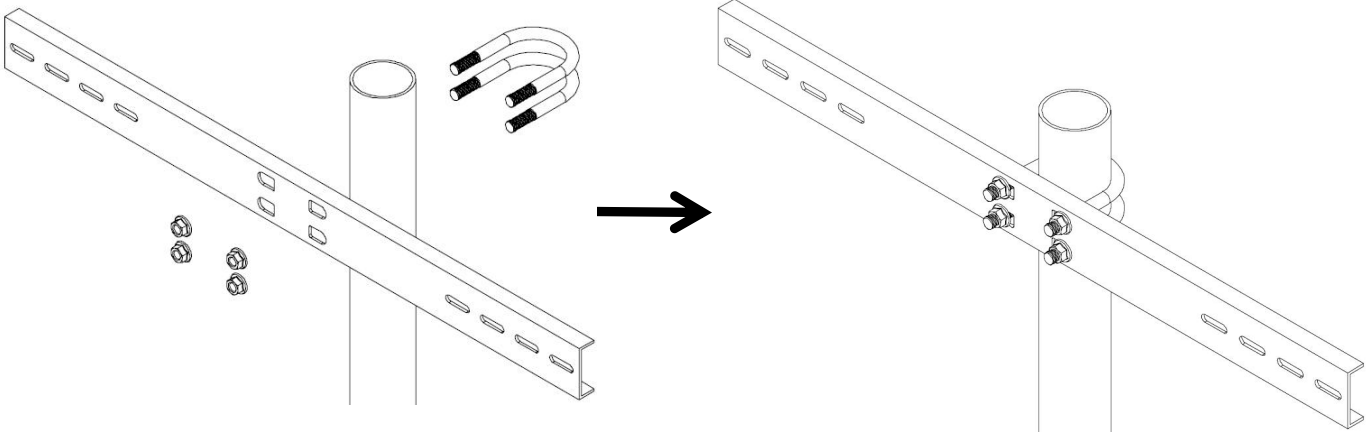
Button Head Socket Cap Bolt  
components



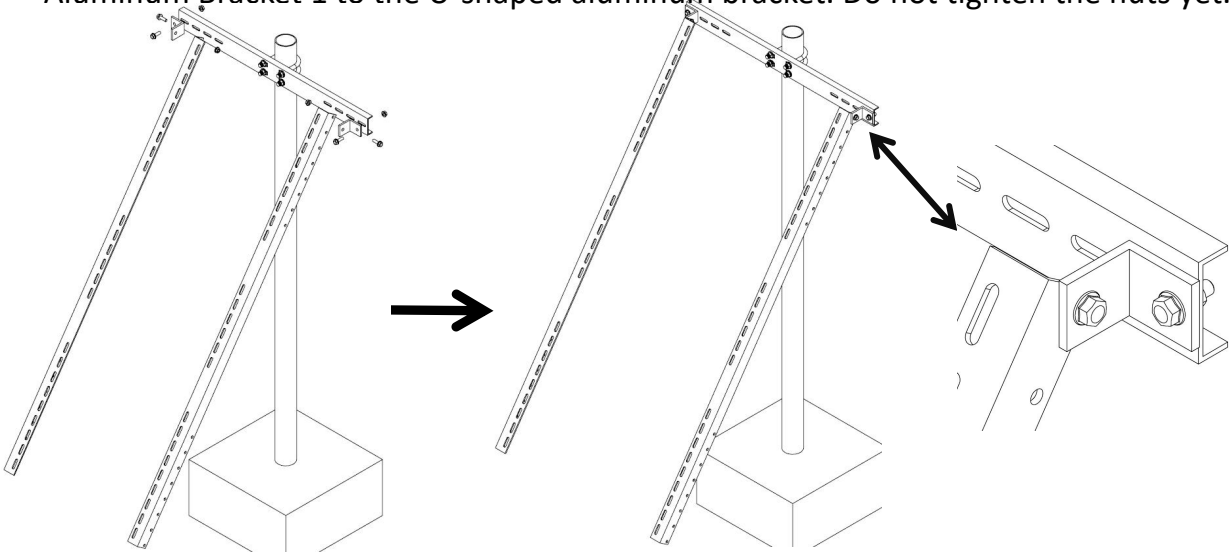
x8

## Installation Steps:

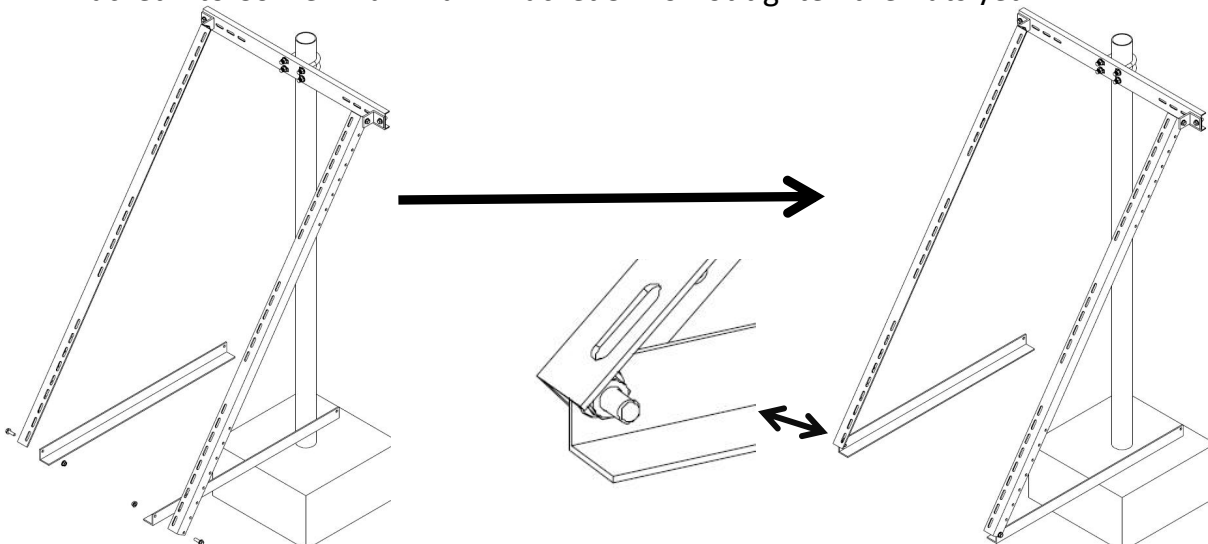
**Step1.** As shown: Use 2 PCS U-bolt components to securely fasten the U-shaped aluminum bracket to the pole.



**Step2.** As shown: Use 2 PCS Corner Aluminum Bracket 3 components to attach Corner Aluminum Bracket 1 to the U-shaped aluminum bracket. Do not tighten the nuts yet.

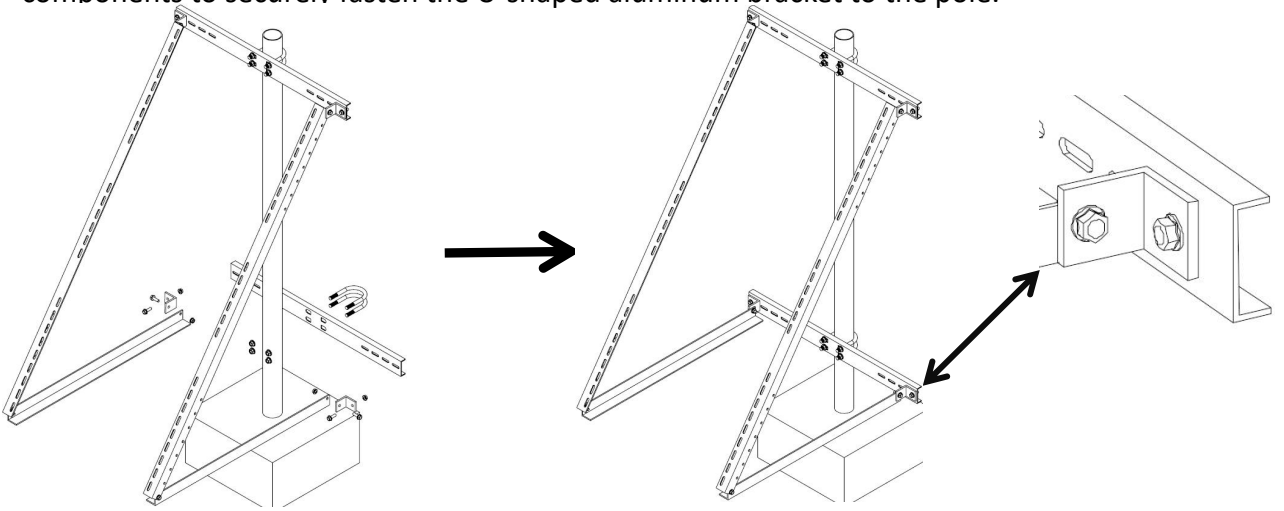


**Step3.** As shown: Use 2 PCS Hexagon Head Bolt components to attach Corner Aluminum Bracket 2 to Corner Aluminum Bracket 3. Do not tighten the nuts yet.

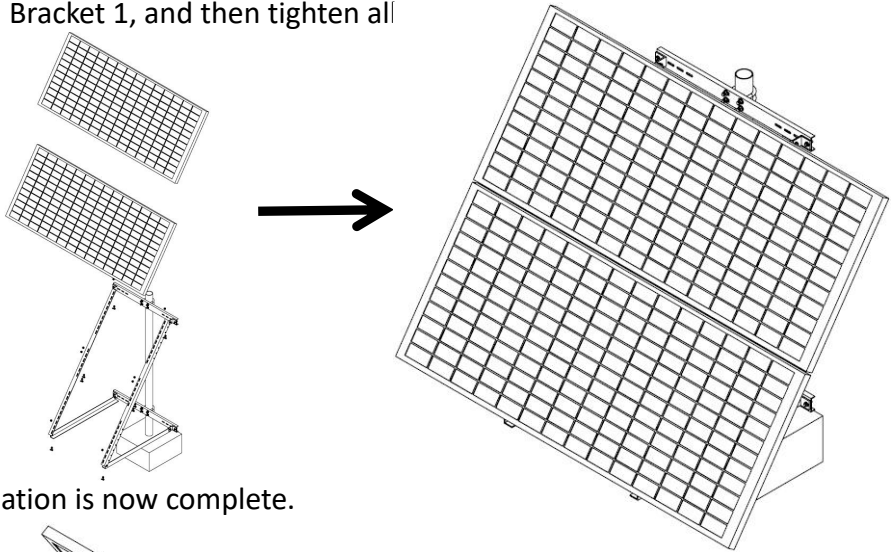


## Installation Steps:

**Step4.** Use 2 PCS Corner Aluminum Bracket 3 components to attach the U-shaped aluminum bracket to Corner Aluminum Bracket 2. Do not tighten the screws yet; Then use 2 PCS U-bolt components to securely fasten the U-shaped aluminum bracket to the pole.



**Step5.** Use 4 PCS Button Head Socket Cap Bolt components to securely fasten the solar panel to Corner Aluminum Bracket 1, and then tighten all



**Step6.** The installation is now complete.

