

Solar-Powered Security Camera Kit

2K
Resolution

Tapo C410 KIT

TC82 KIT



Continuous Solar Charging

Free AI
Detection

Color Night
Vision

Weather
Resistant

works with alexa

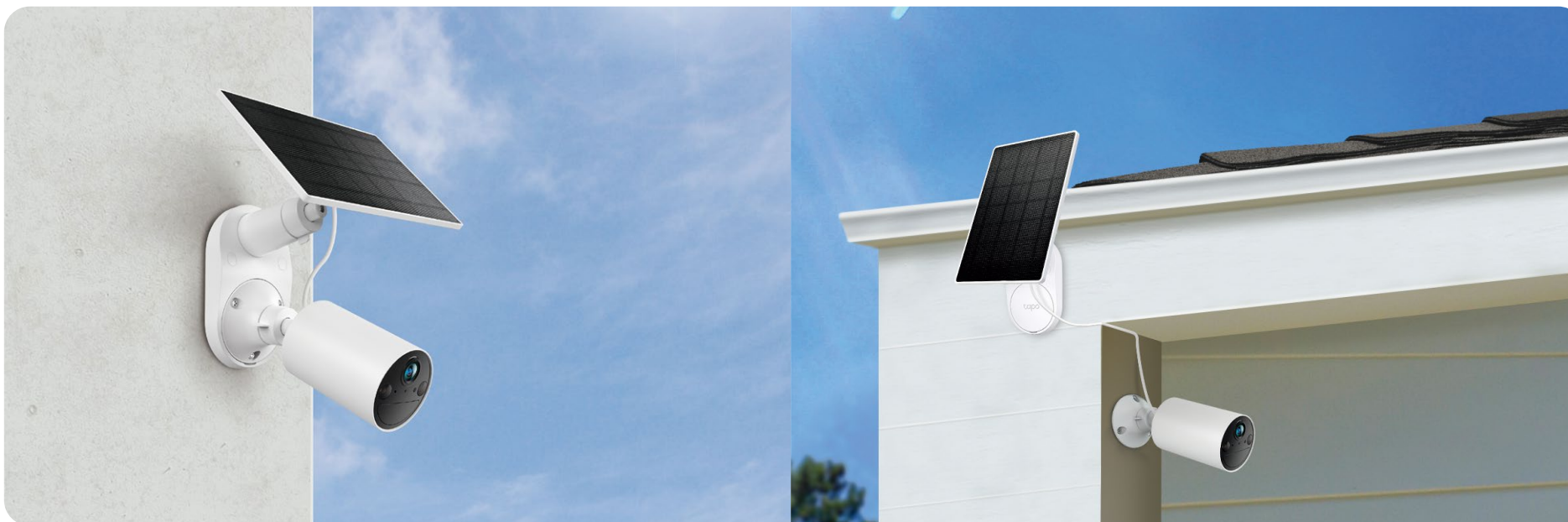
works with Google Home



// Highlight

Continuous Solar Power with Flexible Installation

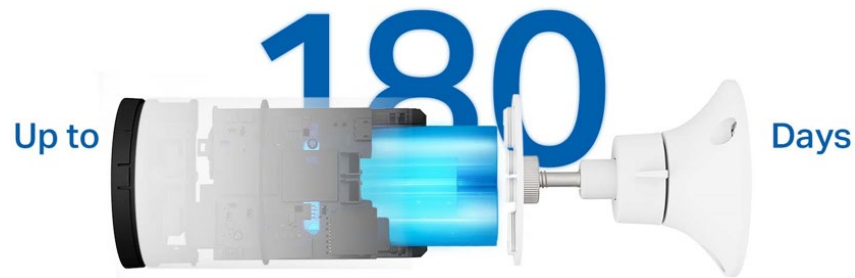
The innovative solar panel design offers versatile installation. Unify your setup into a single, sleek unit or install individually, connected by a 4-meter charging cable, ensuring maximum sunlight absorption.



// Highlight

Enduring Power for Continuous Security

With its built-in 6400 mAh rechargeable battery, the Tapo camera reduces the frequency of recharges, providing up to 180 days of uninterrupted performance on a single charge.[†]



Built to Withstand Rain and Heat

Tapo camera is IP65-rated for dust and water resistance, withstanding rain, snow, dust, bright sunshine, and other harsh weather conditions from -4 to 113°F (-20 to 45°C).



// Highlight

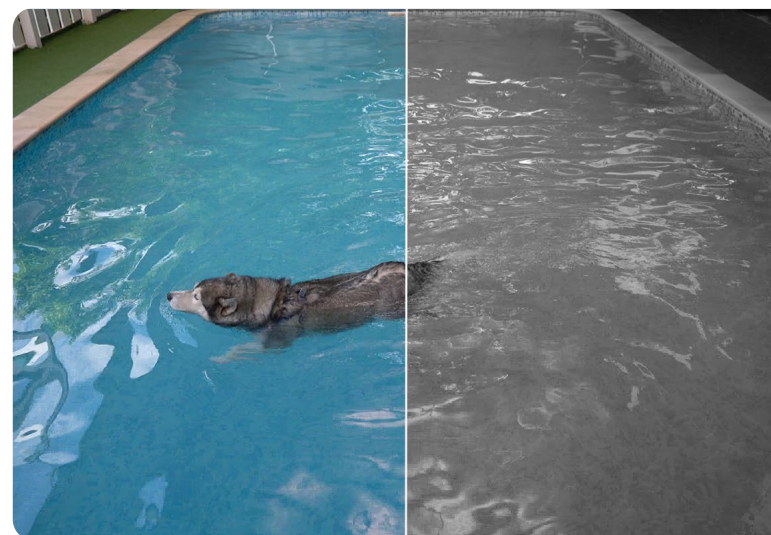
Crisp Clear Details with 2K Clarity

Captures more details and delivers high-definition pictures with a 2304×1296 px resolution.



Full-Color View, Day and Night

Enhances your security by revealing brighter, color images and vivid details with built-in spotlights even at night.



// Features



Wire-Free Design

Enjoy unparalleled security with the freedom to monitor your space from any location without the limitations of outlets.



High-Efficiency Solar Charging

Daily 45 minutes* of direct sunlight charges the Tapo camera for all-day use. No sun? No problem—the built-in battery provides power for up to 180 days.†



2K 3MP Live View

Captures more details and delivers high-definition pictures with a 2304×1296 px resolution.△



Smart Person Detection

Get alerts when a person is detected, reducing false alerts and unnecessary notifications, which also extends battery life.



Two-Way Audio

Enables direct communication through a built-in microphone and speaker.



Color Night Vision

Enhances your security by revealing vivid colors with built-in spotlights.



Customizable Sound and Audio Alarm

Customize your alarm by recording your own audio and adjusting the brightness of the dual spotlights to suit your preferences.



Local and Cloud Storage

Save recorded video on a microSD card (up to 512 GB)‡, no subscription required. Cloud storage§ is also supported for flexibility.



IP65 Weatherproof

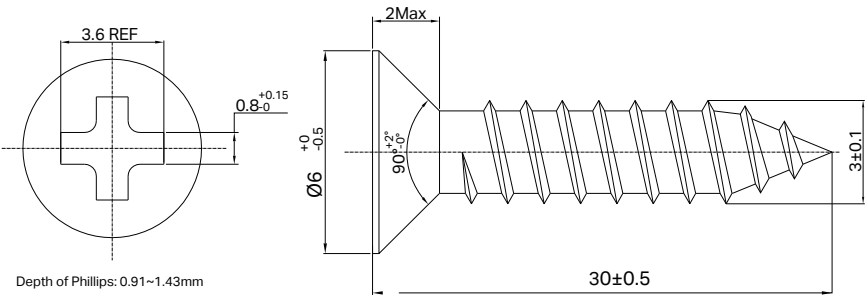
Performs well even in harsh environments with rain and dust, ideal for indoor/outdoor scenarios.

// Specifications

Camera	Image Sensor	1/2.8" Progressive Scan CMOS Starlight Sensor
	Lens	Focal Length: 3.17 mm Aperture: F1.65 Field of View: 125° (Diagonal), 111° (Horizontal), 56° (Vertical)
	Night Vision	850 nm IR LED (30 ft / 9.1 m) Color Night Vision
	Day/Night Switch	IR Mode / Full-Color Mode
	Lighting	2× Spotlights (4× Built-in LEDs)
Solar Panel	Interface & Button	1× POWER Button 1× RESET Button 1× microSD Card Slot (Up to 512 GB)
	Connection Capacity	A solar panel can only connect to one camera.
	Output Port	Type-C
Video & Audio	Maximum Resolution	2K 3MP (2304 × 1296 px)
	Frame Rate	15fps
	Video Compression	H.264
	Live View	Yes
	Image Enhancement	3D DNR WDR

Video & Audio	Audio Input & Output	Built-in Microphone and Speaker
	Audio Communication	Two-Way Audio with Noise Cancellation
	Siren Volume	94 dB (Level measured at 4-inch/10-cm distance)
Storage	Local Storage	microSD Card Slot on Camera (Up to 512 GB)
	Cloud Storage	Tapo Care Cloud Storage Services (Subscription required)
Detection & Notification	Sensor	Single Motion Sensor (FOV: 110° horizontal) Single Ambient Light Sensors
	Detection	Motion Detection AI Detection (Person Detection)
	Activity Zones	Yes
	Output Notification	System Notification System Notification with Snapshot (Tapo Care Services)
Network	Network Connectivity	Connect via Wi-Fi
	Wireless Connectivity	IEEE 802.11b/g/n, 2.4 GHz Wi-Fi
	Transmission Rate	11b: 11 Mbps 11g: 54 Mbps 11n: 72.2 Mbps
	Protocol	TCP/IP, ICMP, DNS, HTTPS, TCP, UDP
Security	Security	128-bit AES Encryption with SSL/TLS WPA/WPA2-PSK

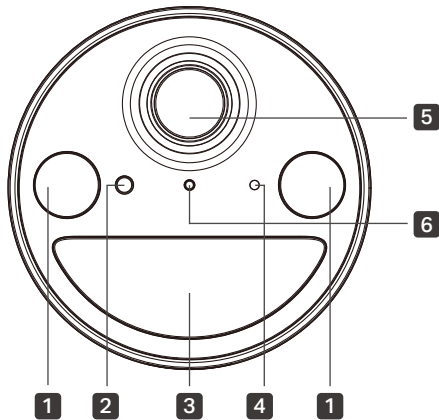
Power	Power Source	6400 mAh Built-in Rechargeable Lithium-ion Battery Optional Solar Panel: Tapo A201 (Sold separately), Tapo A200 (Sold separately)
	Input Voltage	Adapter Input: 100-240 V, 50/60 Hz
	Output Voltage	Adapter Output: 5.0 V, 1.0 A
	Power Cord Length	USB Adapter Cable Length: 0.5 m (19.68 in.)
	Typical Power Consumption	Camera Typical Power Consumption: 1.04 W
	Maximum Power Consumption	Camera Max Power Consumption: 2.12 W
General	Certifications	CE, FCC, DOE, CEC, RCM, KC, NCC, BSMI, NTRA, IP65
	Smart Integration	Google Assistant, Amazon Alexa
	Weather Resistance	IP65
	System Requirements	Tapo App: iOS 9.0 or higher, Android 4.4 or higher
	Mounting Options	Tabletop Ceiling-Mounted Wall-Mounted
	Operating Temperature	-20°C ~ 45°C (-4 °F ~ 113 °F)
	Storage Temperature	-40°C ~ 60°C (-40 °F ~ 140 °F)
	Operating Humidity	10%~90% RH, Non-condensing

General	Storage Humidity	5%~90% RH, Non-condensing	
	Charging Temperature	0°C ~ 45°C (32 °F ~ 113 °F)	
	Dimensions	Camera Dimensions: D60 mm*89 mm (D2.36 in. * 3.5 in.) Solar Panel Dimensions: 173.42 × 120.42 × 15.7 mm (6.83 × 4.74 × 0.62 in)	
	Weight	Camera: 230 g Tapo A201 Solar Panel: 140 g	
	Screw Size		
	Package Contents	<p>For 1-pack:</p> <ul style="list-style-type: none"> • Camera ×1 • Tapo A201 Solar Panel ×1 • Tapo A201 Solar Panel Bracket ×1 • USB Adapter Cable ×1 • Base Cover ×1 • Extension Wire ×1 • Mounting Screws ×6 • Mounting Anchors ×6 • Waterproof Seals ×2 • Screw Caps ×2 • Cable Zip Tie ×1 • Mounting Templates ×2 • Quick Start Guide 	<p>For 2-pack:</p> <ul style="list-style-type: none"> • Camera ×2 • Tapo A201 Solar Panel ×2 • Tapo A201 Solar Panel Bracket ×2 • USB Adapter Cable ×1 • Base Covers ×2 • Extension Wires ×2 • Mounting Screws ×12 • Mounting Anchors ×12 • Waterproof Seals ×4 • Screw Caps ×4 • Cable Zip Tie ×2 • Mounting Templates ×4 • Quick Start Guide

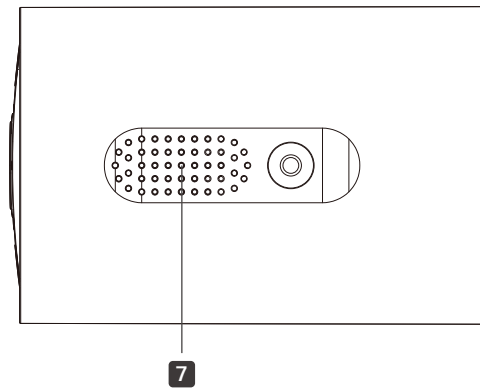
<p>General</p>	<p>Package Contents</p>	<p>For 3-pack:</p> <ul style="list-style-type: none"> • Cameras × 3 • Tapo A201 Solar Panels ×3 • Tapo A201 Solar Panel Brackets ×3 • USB Adapter Cable ×1 • Base Covers ×3 • Extension Wires ×3 • Mounting Screws ×18 • Mounting Anchors ×18 • Waterproof Seals ×6 • Screw Caps ×6 • Cable Zip Ties ×3 • Mounting Templates ×6 • Quick Start Guide 	<p>For 4-pack:</p> <ul style="list-style-type: none"> • Cameras × 4 • Tapo A201 Solar Panels ×4 • Tapo A201 Solar Panel Brackets ×4 • USB Adapter Cable ×1 • Base Covers ×4 • Extension Wires ×4 • Mounting Screws ×24 • Mounting Anchors ×24 • Waterproof Seals ×8 • Screw Caps ×8 • Cable Zip Ties ×4 • Mounting Templates ×8 • Quick Start Guide
-----------------------	-------------------------	---	---

Camera Appearance

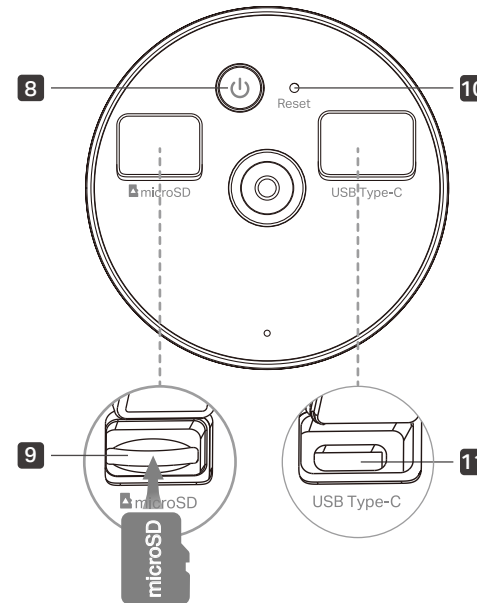
Front



Side



Back



- 1** Spotlights
- 2** Light Sensor
- 3** Motion Sensor
- 4** Microphone
- 5** Lens
- 6** Status LED
- 7** Speaker

- 8** Power Button Press and hold for about 3 seconds to turn on/off the camera.
- 9** microSD Card Slot
- 10** Reset Button Use a pin to press and hold for at least 5 seconds to reset the camera to factory default settings.
- 11** USB Type-C Charging Port

[†]The time of use includes recording and watching live views. 180-day battery life is based on Tapo laboratory tests with 250s of use per day. Actual battery life may vary due to device settings, usage, router specifications, and environmental factors.

[‡]microSD card purchased separately. Actual storage capacity depends on the size of the microSD card used.

[§]Subscribe for cloud storage at <https://www.tapo.com/tapocare/>

[^]Compatible with Alexa and Google Assistant supported displays. User experience is dependent on the connected device's specifications.

Specifications are subject to change without notice. All brands and product names are trademarks or registered trademarks of their respective holders.

©2024 TP-Link