
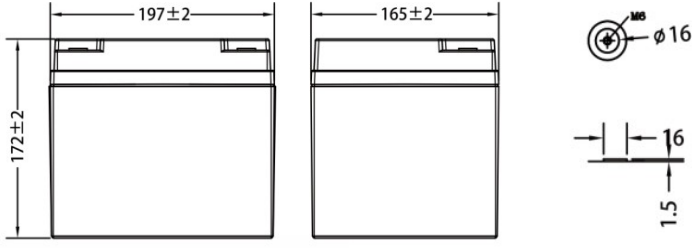
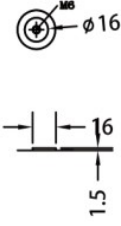



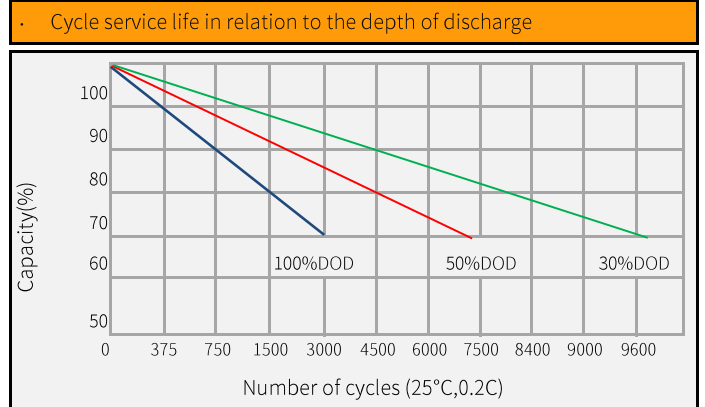
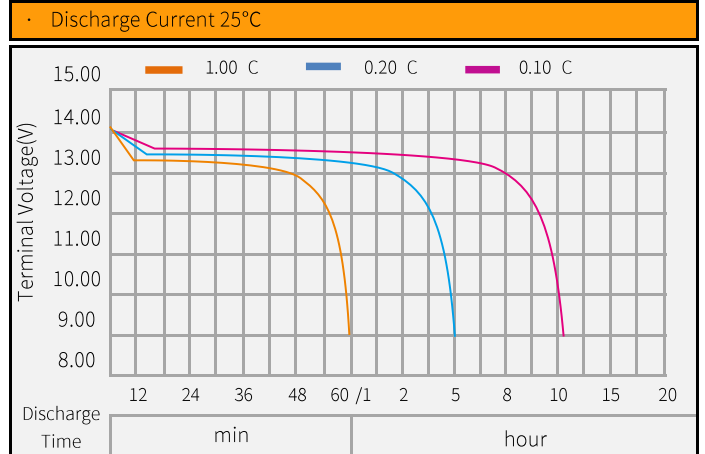
DIGITAL SCREEN INTELLIGENT STORAGE LITHIUM BATTERY

MODEL: PN MS38-12(L)

NO:

Container Color		PANTONE		Plane Chart:				
		3516C						
		Black C						
		Terminal type	LC1	38 A				BMS
				20241101	Time			
								
Function	(YES) Digital Display (NO) Bluetooth	Product Size: 197*165*172 (mm)						

Parameter Chart:		
Rated Voltage	12.8	V
Rated Capacity(25°C)	38	Ah
Series & Parallels	4 ~ 1	S/P
Voltage Range	10 ~ 14.6	V
Rated Energy	486.4	Wh
Maximum Discharge Current	38	A
Maximum Charge Current	38	A
Discharge cut-off voltage	≥ 10	V
Charge voltage	14.6	V
Cycle life(@25°C ,100%DOD)	≥ 3000	Cycle
Float Voltage	13.6 ~ 13.8	V
Operating humidity	60 ± 25%	R.H.
Certified	CE/UN38.3	
Communication	/	
Total Weight	Approx. 4.45 ± 0.10	Kg
Operating temperature	Charging 0 ~ 45°C Discharging -20 ~ 55°C	



Long-term Storage

After the battery is charged, it should be used as soon as possible to avoid loss of usable capacity due to self-discharge.

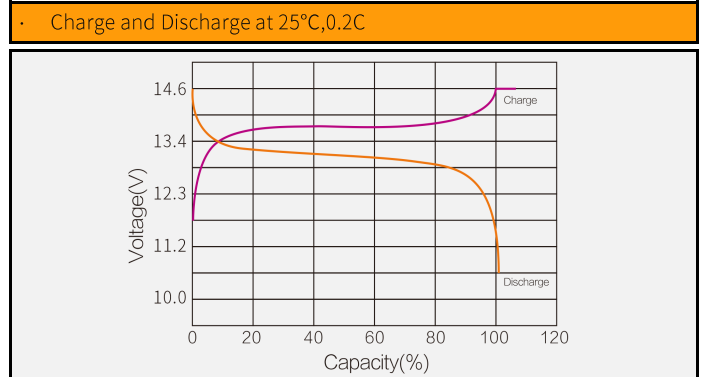
If storage is required, the battery needs to be stored in a low SOC state. The recommended storage conditions are: 20%~40%SOC, 0°C~35°C, relative humidity ≤60%.

Constant Current Discharge Characteristics (A, 25°C)

Time(h)	1.00	2.00	4.00	5.00	8.00	10.00	15.00	20.00
Current (A)	38.00	19.00	9.50	7.60	4.75	3.80	2.53	1.90

Constant Power Discharge Characteristics (Watt, 25°C)

Time(h)	1.00	2.00	4.00	5.00	8.00	10.00	15.00	20.00
Watt (W)	486.40	243.20	121.60	97.28	60.80	48.64	32.43	24.32



Capacity Factors With Different Temperature

Discharge	-20	-10	0	10	20	25	30	40	50	55	60
	≥55	≥70	≥90	≥95	≥100	≥100	≥100	≥98	≥97	≥95	≥93

- Matters needing attention**
- ★ The above parameters are for reference only. The accurate parameters shall be based on the actual production order.
 - ★ During usage, it is strictly prohibited to reverse the positive and negative terminals of the battery.
 - ★ Please use a special charger for lithium-ion batteries when charging.
 - ★ If series or parallel connection is required, please consult the agent or manufacturer.