

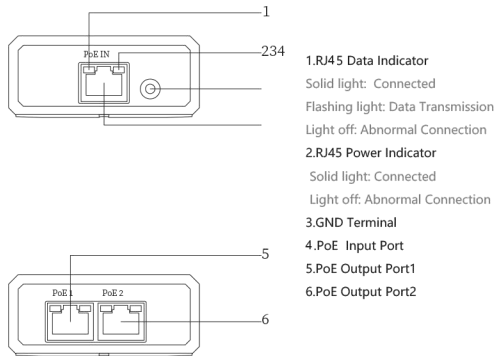
## MAXPI60EXT1x2 PoE Extender

### Overview

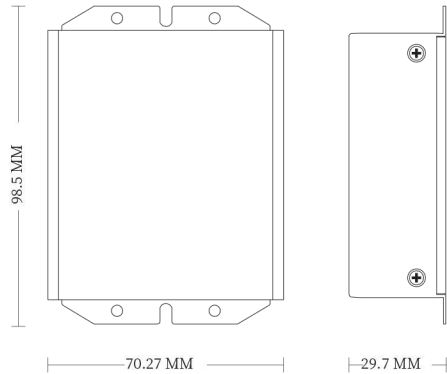
MAXPI60EXT1x2 is an industrial-rated PoE Extender with two PoE output ports, specially designed for complex backhaul and networking applications. Enclosed in a high-impact metal shell. The 3 ports 10/100/1000Mbps includes: 1 x PoE-powered input port with 802.3bt/PoE++ at 60W or higher of 95W(Max) and 2 x PoE output ports with 6KV (10/700us) surge protection. Each output port delivers 30W(Max) power for remote two PDs, totaling up to 60W.

PoE Input port requiring more power which is powered by ultra 802.3bt PoE++ works with an input voltage of 44- 57Vdc and operates under -40°C to +65°C. Equipped detecting chip inside which will make the PoE identification handshake with IEEE802.3af/at/PoE+ PDs, such as wireless APs, IP cameras, base stations, Microwave radio, and other PoE power Ethernet backhaul devices. For planning purposes, the total effective distance from Ultra PoE to PDs is 200 meters over CAT5e/CAT6 cables without local power.

### Appearance



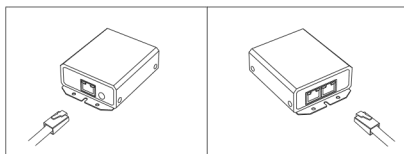
1 Product Diagram



2 Dimension Diagram

# Specification

Input	Input	44-57v 1.5AMax
	PoE Standard	IEEE802.3 bt/ PoE ++
	Input Power Pins	4/5(+),7/8(-) & 3/6(+),1/2(-)
Output	Output	55V /0.55A * 2 Ports (Total 60W)
	Data Speed	10/ 100 / 1000Mbps
Operating Environment	Work Temp.	-40°C to 65°C
	Operating Humidity	20%-80%, non-condensation
	Operating Altitude	Up to 2000 meters
	Storage Temp.	-20°C to 70°C
	Storage Humidity	10%-90%, non-condensation
PoE Surge Protection	Protected line:1,2,3,4,5,6,7,8	
	Common mode surge protection(10/700us): 6kV	
	Differential mode surge protection (10/700us): 1.5KV	
Network Protocol	IEEE802.3/ IEEE802.3u / IEEE802.3ab	
Media Support	10 / 100 / 1000BASE-TX Cat5 or above UTP (≤ 328 feet)	
Regulatory Compliance	CE FCC	
IP Rated	IP40	
Dimensions	98.5mm × 70.27mm × 29.7mm (207.8g)	
LED	Yellow Light	Solid light: Connected Light off: Not connected or connection failed Flashing light: Data transmitting
	Green Light	Light off: Not powered or no connection to device Solid light: Power on
EMC	FCC	FCC Part 15 Subpart B
	CE	EN 55032:2015/A11:2020
		EN 55035:2017/A11:2020



3 Connection Diagram

## Caution

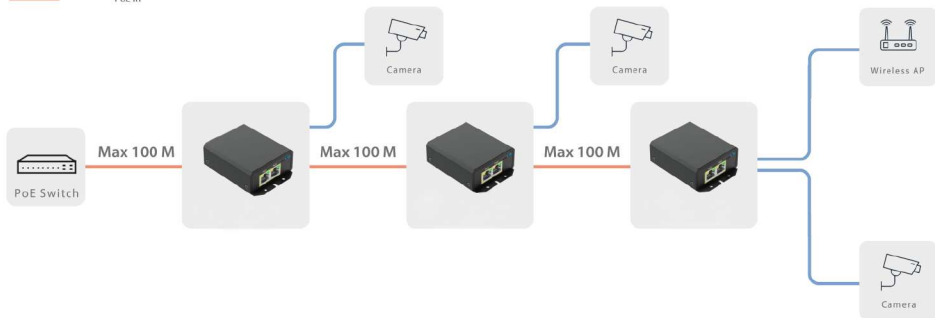
1. Connect a CAT5/5e/6 cable with the RJ45 connector into the RJ45 socket labeled PoE In. The total Ethernet cable length can not exceed 100 meters.
2. Connect a CAT5/5e/6 cable with the RJ45 connector into the RJ45 socket labeled PoE 1 or PoE 2. On the other end of the CAT5e/6 cable, connect to your PoE Device (such as IP Cameras etc ). The total Ethernet cable length can not exceed 100 meters.
3. Daisy-chain 2 units reaching 300m from end to end or reaching 500m by star topology.



1. please read the instructions carefully and follow the standard operating procedures before using.

2. Please place it in a well-ventilated and dry area, and it is for indoor use only.

— Data & Power  
— PoE In



Qualification Card

PASS

**MaxLink**