

Thank you for purchasing our garden post for powering outdoor spaces, gardens and orchards. Before using the device, please read this manual carefully and pay attention to the safety instructions. This will ensure not only the protection of people, but also the long durability of the device.

### TECHNICAL PARAMETERS

Electrical sockets	2 zásuvky s dětskými pojistkami, max. 16A, max. 3680W/230V~
LED lighting	E14 patice, max. 15W LED žárovka. Není určeno pro klasické žárovky.
Protection level	IP44
Column dimensions	8,5 x 8,5 x 40cm
Base dimensions	15,9 x 15,9 cm

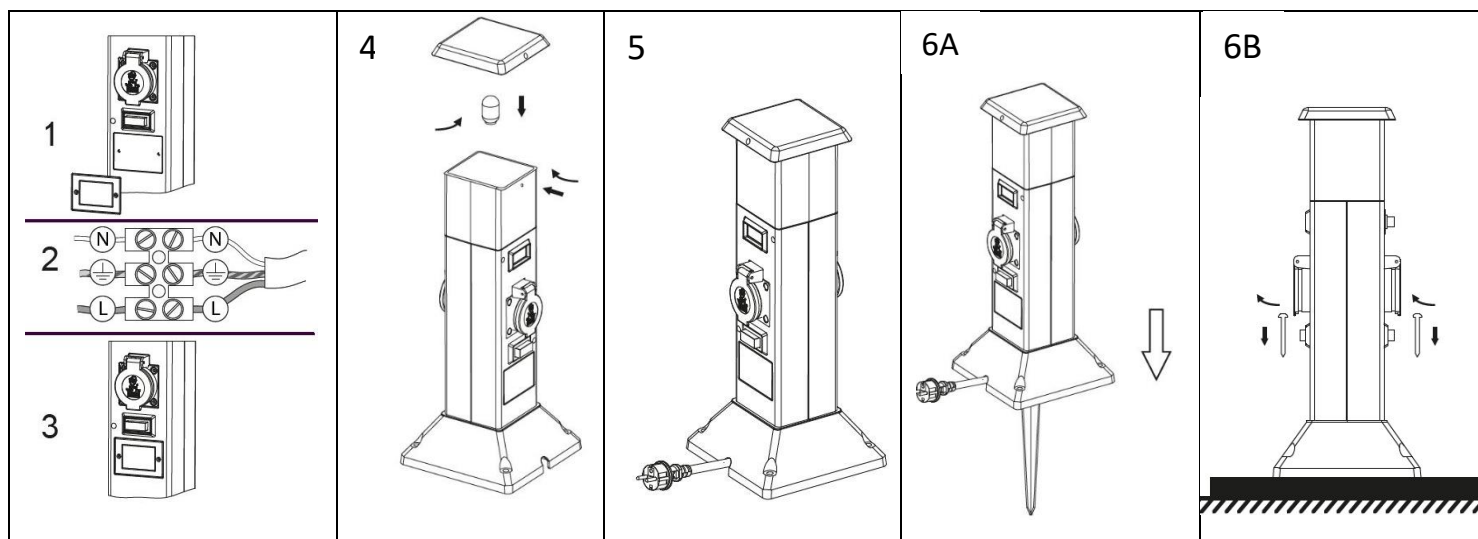
### POST INSTALLATION

Turn off the power supply before installation!

1. Unscrew the cover of the terminal block on the post. Pass the power cable through the hole on the bottom of the base and bring it in front of the terminal box. Connect the individual wires into the terminal block and screw the cover back on. If it is not possible to thread the cable through the hole at the terminal block, unscrew the entire base and thread the cable one by one.
2. Attach the power cable to the securing cable clamp on the bottom of the base.
3. Soft surfaces: screw the spike part into the socket on the bottom side of the base. Stick into the ground at the chosen location.
4. Fixed surfaces: drill four holes for fixing the base at the selected position and insert the dowels into them. Measure the positions for the dowels using the holes in the base of the post.
5. Turn on the power supply.
6. Each socket and light has its own individual switches.

### BULB INSTALLATION AND REPLACEMENT

1. Unscrew the top cover of the post.
2. Insert the bulb with an E14 socket (Max. 15W) and fasten it.
3. Put the top cover back and screw it on.



### SAFETY NOTICE

- Do not modify or repair the device.
- Do not interfere with the connection, do not exceed the permitted load.
- Before cleaning, disconnect the product from the mains and disconnect the power cable from its socket.
- Protect the product from flooding with water, contact with heaters and places with excessively high temperatures.
- Installation may only be carried out by a qualified person according to the relevant regulations.
- The company Solight Holding s.r.o. in no case is it responsible for property damage and personal injury caused by unprofessional installation or incorrect use.

