



SENSEA-6U-64-11-G

# WALL-MOUNTED DATA RACKS

## SENSEA



The SENSEA wall-mounted data cabinet of riveted construction is a switchboard whose production was focused on practicality and a favourable price.

The top and bottom lid of the cabinet has perforations for easy ventilation of the internal equipment.

The cable entry is provided by knock-out openings in the ceiling, bottom, sides and rear of the cabinet. The door is fitted with a two-key lock and concealed swing hinges.

In cabinet depths of 500 and 600 mm, our standard ventilation unit with 2 to 6 fans, marked VJ-Rx, can be installed in the prepared break-out holes in the lid and bottom.

### Construction:

- Doors in sheet metal or with safety glass (EN 12150-1), 180° opening, concealed hinges, choice of right or left-hand opening
- 1.3 mm thick sheet metal, 1.5 mm galvanised support strips
- perforations in the top and bottom of the cabinet for easy ventilation
- cable entries in the ceiling, bottom, back and sides of the cabinet in the form of knockouts
- 8 holes in the back for wall mounting
- load capacity 45 kg (under uniform static load)
- degree of protection IP 20

19" standard

IP 20

### Standard design:

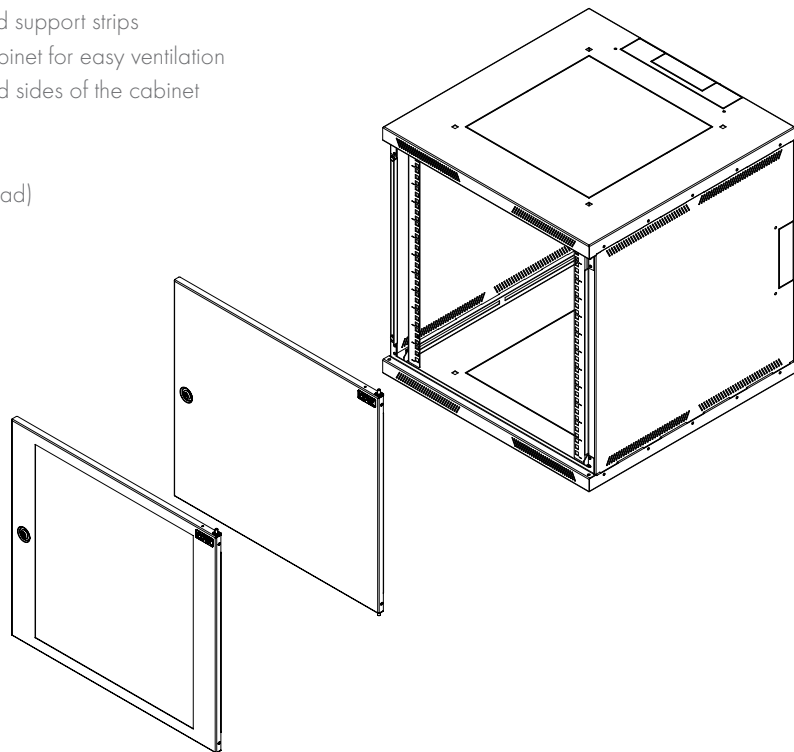
- height: 6, 9, 12, 15, 18, 21U
- width: 600 mm
- depth: 400, 500 and 600 mm

### Colour design:

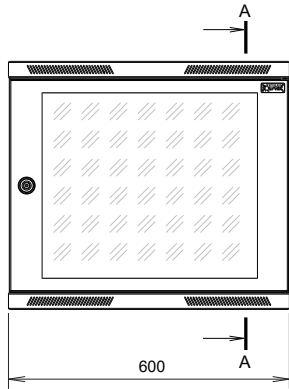
- powder coated in light grey RAL 7035

### The supplied configuration includes:

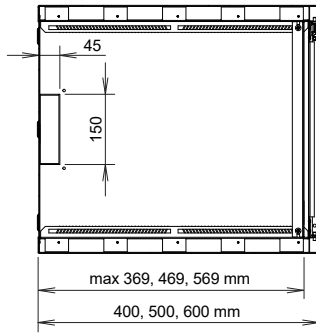
- 1 pair of sliding 19" vertical rails (additional pair on request)
- 1 door with lock and concealed hinges
- ground wire connecting the cabinet body to the door



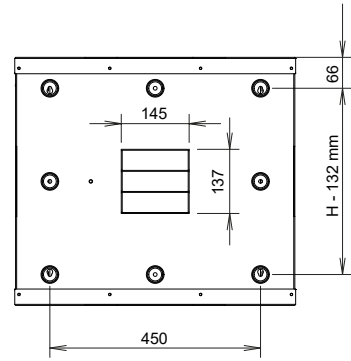
FRONT VIEW



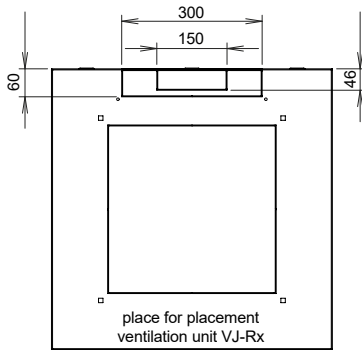
CUT A-A



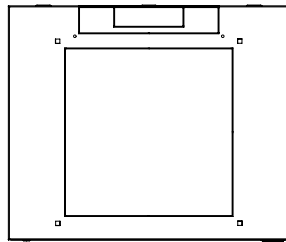
REAR VIEW



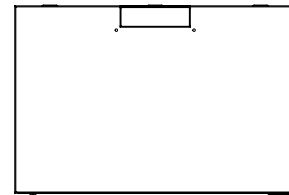
COVER DEPTH 600 MM



COVER DEPTH 500 MM



COVER DEPTH 400 MM



SENA-6U-64-21-G



SENA-6U-64-21-G



SENA-9U-65-21-G



SENA-9U-65-11-G



Rack depth 600 mm



Rack depth 500 mm



Rack depth 400 mm



SENA-12U-64-21-G



SENA-12U-64-11-G



SENA-15U-65-21-G



SENA-15U-65-11-G

Height (in U)	Depth (in mm)	Total height (in mm)	Part No	Door glass Mass (in kg)	Part No	Door sheet metal Mass (in kg)
6	400	356	SENSA-6U-64-11-G	16,5	SENSA-6U-64-21-G	16
9		490	SENSA-9U-64-11-G	19,5	SENSA-9U-64-21-G	19
12		621	SENSA-12U-64-11-G	23	SENSA-12U-64-21-G	22
15		756	SENSA-15U-64-11-G	26	SENSA-15U-64-21-G	25
18		890	SENSA-18U-64-11-G	29	SENSA-18U-64-21-G	28
6	500	356	SENSA-6U-65-11-G	20	SENSA-6U-65-21-G	19,5
9		490	SENSA-9U-65-11-G	23	SENSA-9U-65-21-G	22,5
12		621	SENSA-12U-65-11-G	26,5	SENSA-12U-65-21-G	25,5
15		756	SENSA-15U-65-11-G	29,5	SENSA-15U-65-21-G	28,5
18		890	SENSA-18U-65-11-G	32,5	SENSA-18U-65-21-G	31,5
6	600	356	SENSA-6U-66-11-G	23,5	SENSA-6U-66-21-G	23
9		490	SENSA-9U-66-11-G	26,5	SENSA-9U-66-21-G	26
12		621	SENSA-12U-66-11-G	30	SENSA-12U-66-21-G	29
15		756	SENSA-15U-66-11-G	33	SENSA-15U-66-21-G	32
18		890	SENSA-18U-66-11-G	36	SENSA-18U-66-21-G	35
21		1 024	SENSA-21U-66-11-G	39	SENSA-21U-66-21-G	38



SENSA-21U-66-21-G



SENSA-21U-66-11-G