

Industrial Gigabit PoE Switch



- 1 1000Mbps PoE Ports
- 2 60W Power Ports

GNT-P1012G6

IP40 Protection
 Total 130W power supply
 8 ports PoE

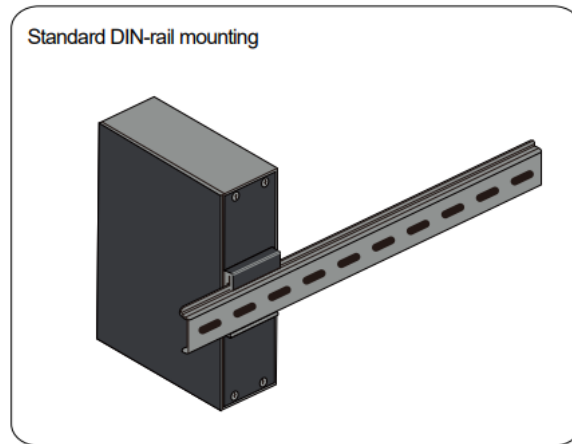
Product Features

Aluminum shell for better heat dissipation, stable and durable
 For extreme temperature environments: -40°C~70°C
 Standard DIN-Rail mounting, fast in installation

Specifications

Ports	PoE (1~6):10/100/1000Mbps PoE ports (RJ45), PoE (7~8):10/100/1000Mbps PoE ports (RJ45), Support bt 60W High Power
Transmission Rate	1000Mbps Full Duplex; 10 or 100 or 1000 Mbps Half Duplex
Transmission Distance	130m
Performance Specification	Bandwidth:16Gbps Network Latency (10 to 1000Mbps): ≤16μs (use the 64byte package size) MAC address table: 8K The Frame Filter & Transmission Rate: 14800pps the most for 10M port, 148800pps the most for 100M port;1488000pps the most for 1000M port
Networking Standard	IEEE 802.3i 10BASE-T/IEEE 802.3u 100BASE-TX IEEE 802.3ab 1000BASE-T IEEE 802.3x Flow Control IEEE 802.3af/at/bt Power over Ethernet
Power Support	Power Input: DC 48~52V Dual Redundancy, AI Watchdog: Port 1~8 Total≤130W, Power Output: PoE1~6 Port:1/2(+52V),3/6(GND)≤30W PoE7~8 Port:1245(+53V),3678(GND) Compatible1/2(+52V),3/6(GND)≤60W
Protection Level	Protection Level:IP40, Lightning Protection:6KV, Per: IEC61000-4-5 ESD Protection:8KV,Per: IEC61000-4-2
Physical Specifications	Size(H*D*W): 145*110*51mm, Weight: 0.55KG/Pcs
Package	Size(L*W*H): 400*360*300mm(CTN Box); 24Pcs/CTN
Working Environment	Operating Temperature: -40°C~70°C Storage Temperature: -40°C~70°C Relative Humidity: 5%~90% Non-condensing Heat dissipation mode: Fan-free design
Certification	CE Mark FCC Part15, Class B RoHS 2.0
Warranty	Whole Device: 1 year
Package Content	User Manual

Installation Diagram



Dimension (mm)

