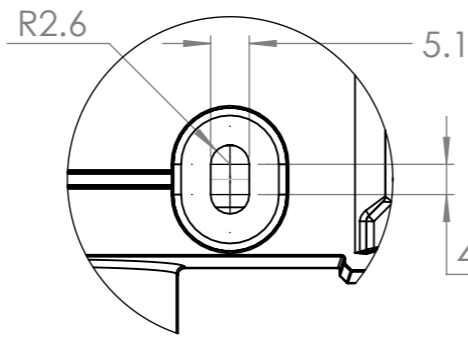
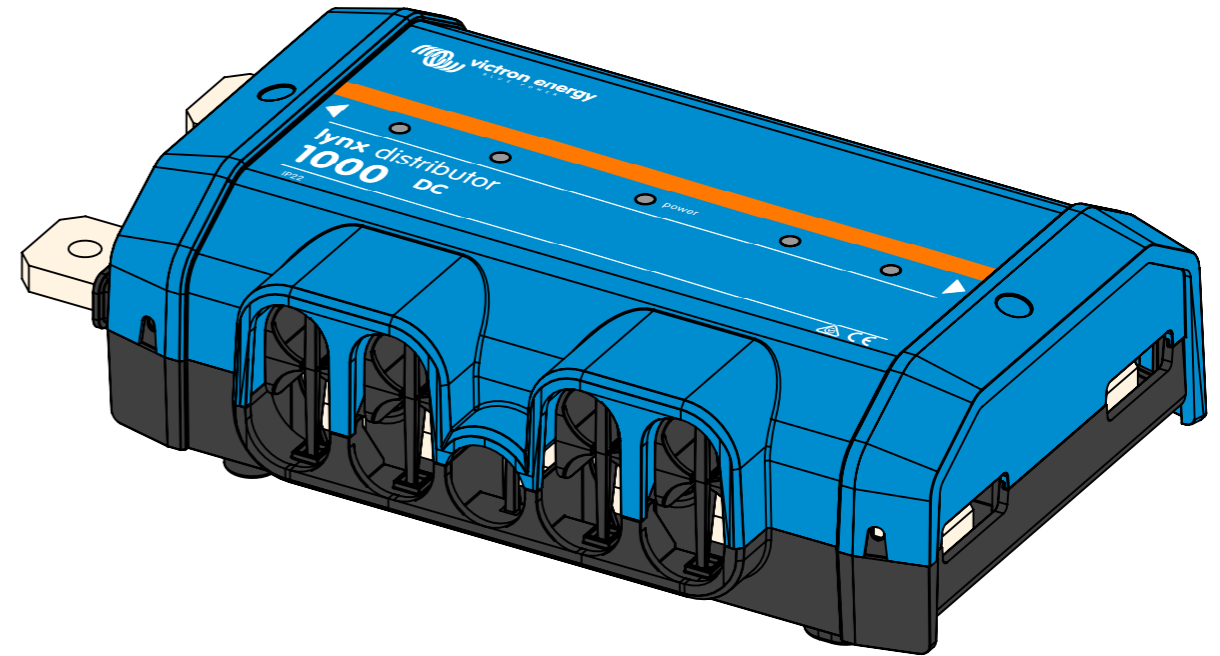


DETAIL A
SCALE 1 : 1



DETAIL B
SCALE 1 : 1



Dimensions in mm

